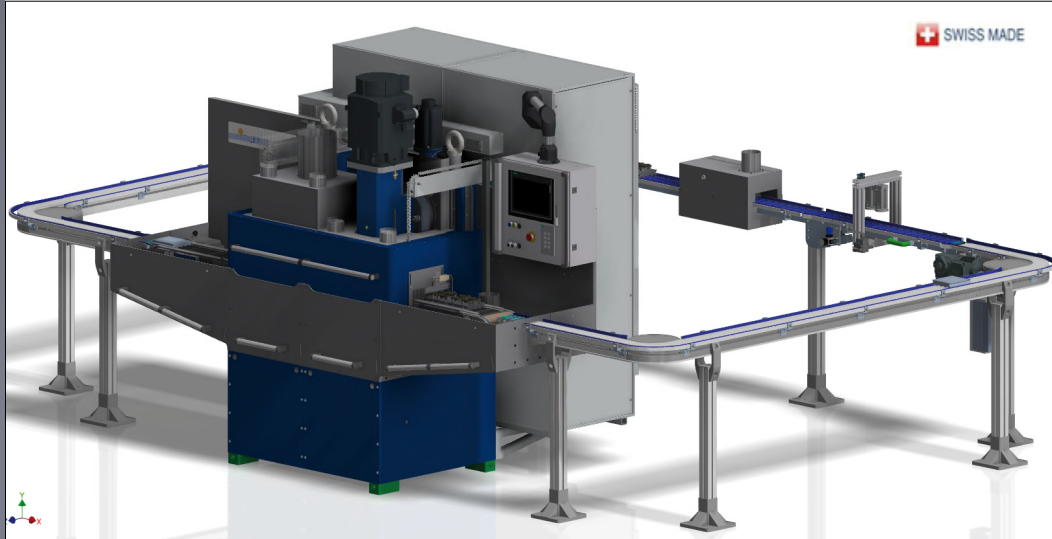


STAG 180/500

Continuous through feed grinder, can be combined with up to 3 vertical stations

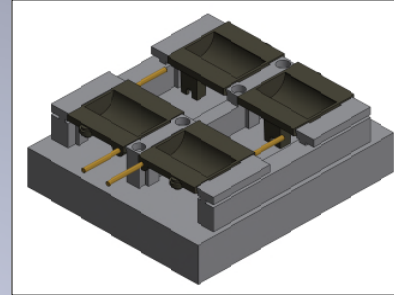


Grinding direction from right to left

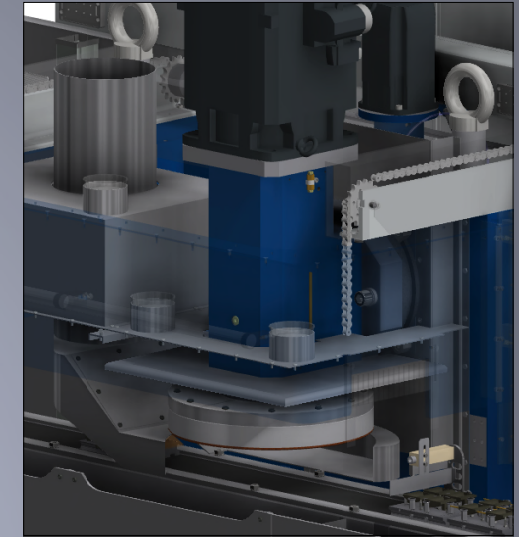
Performances

- Resolution 0.005 mm or 0.001 (optional)
- High performance spindles, direct drive
- Modular rigid frame of grey cast iron combined with prestressed concrete
- Measurement and automatic servo
- Additional brushing module
- Can be combined with up to 3 stations continuously
- Automatic, semi-automatic or manual loading

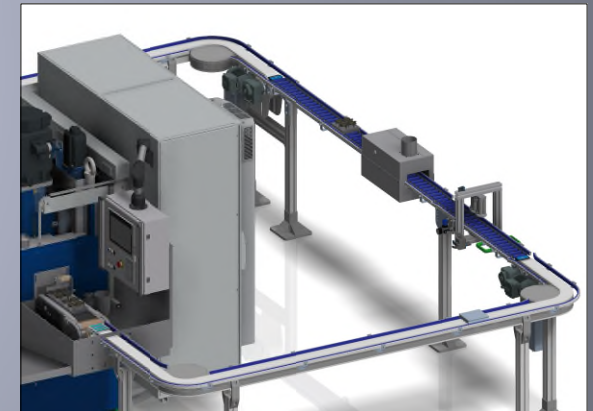
Shuttle



Spindle



Loading / unloading



LINEAR ABRASIVE Engineering S.A.

Bellevue 5

2074 Marin / Switzerland

Phone: +41 (0)32 753 36 33 Fax: +41 (0)32 753 21 69

E-mail: commercial.center@linear.ch



LINEAR ABRASIVE

Technical specifications

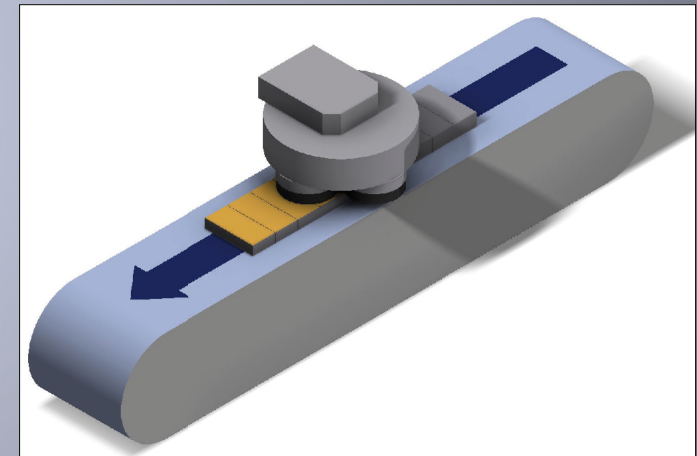
Number of spindles	1 + 1 additional module	Abrasive tools	CBN/diamond/Al2O3
Spindle (mm)	ø200x400	Grinding wheel (mm)	ø400
Z-axis infeed (mm)	120	Infeed (mm/min)	0 - 6000
Direct spindle drive (rpm)	0 - 4500	Electrical control	Siemens S7/1500/TIA
Power (kW)	7 / 11 / 2.5 brushing unit	Total weight (t)	3 - 7
Width of machinable parts max. (mm)	170	Stock removal max. (mm)	3
Height of machinable parts max. (mm)	100	Resolution (mm)	0.005 or 0.001 (optional)

Technology 1V:

Continuous through feed flat surface grinder equipped with vertical spindle(s) + optional brushing unit(s)

Combined operations

Highly productive method for continuous through feed machining of surfaces, using corundum, diamond or CBN cup wheels. Transported by a highly resistant composite belt, held by magnetic attraction (by mask or template for parts of non-magnetic material) the parts are guided between rails and pass beneath the grinding wheel. Controlled process and part program provide optimum performance.



LINEAR ABRASIVE Engineering S.A.

Bellevue 5

2074 Marin / Switzerland

Phone: +41 (0)32 753 36 33 Fax: +41 (0)32 753 21 69

E-mail: commercial.center@linear.ch



LINEAR ABRASIVE