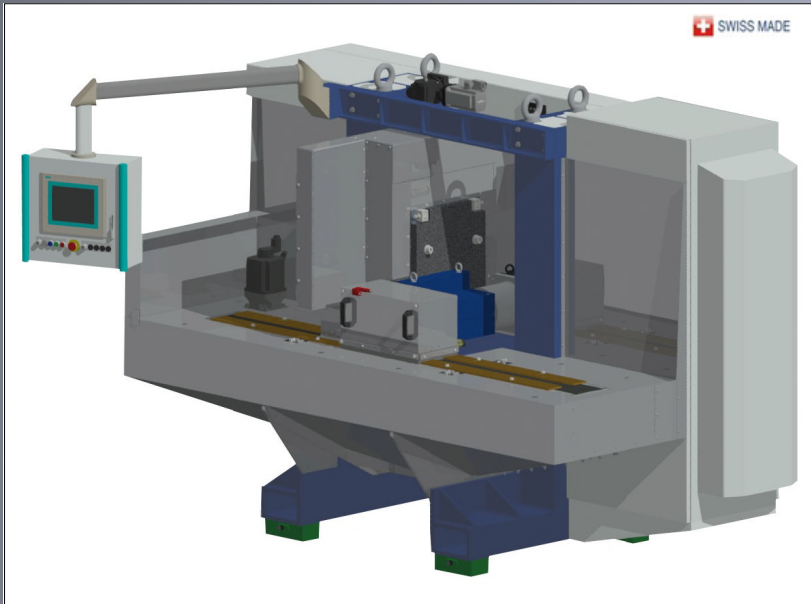


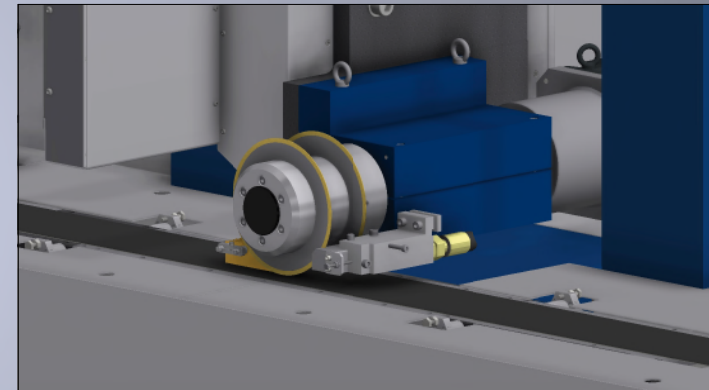
SIEGFRIED 180/500 TR

Tangential continuous through feed grinder with 1 horizontal spindle equipped with cutting discs



Grinding direction from right to left

Spindle



Performances

- Resolution 0.001 mm
- High performance spindles, direct drive
- Modular rigid frame of steel combined with prestressed reinforced concrete
- Automatic, semi-automatic or manual loading

LINEAR ABRASIVE Engineering S.A.

Bellevue 5

2074 Marin / Switzerland

Phone: +41 (0)32 753 36 33 Fax: +41 (0)32 753 21 69

E-mail: commercial.center@linear.ch



LINEAR ABRASIVE

Technical specifications

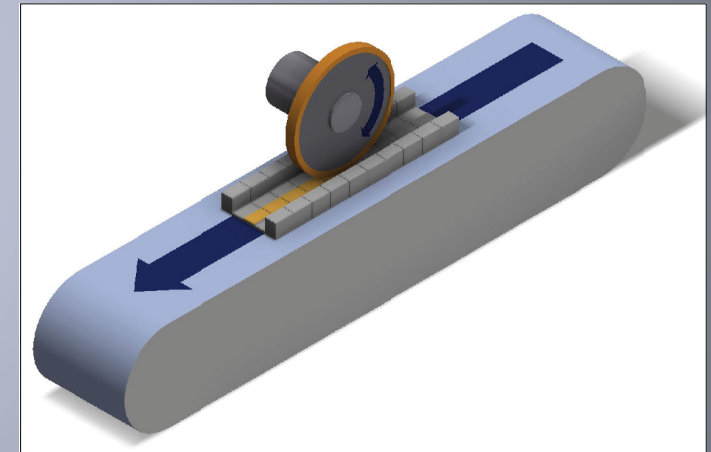
Number of spindles	1	Abrasive tools	Cutting discs CBN/ diamond/Al2O3
Spindle (mm)	ø140x450	Grinding wheel (mm)	ø250
Z-axis infeed (mm)	120	Conveyor advance (mm/min)	0 - 4000
Direct spindle drive (rpm)	0 - 4000	Electrical control	Siemens S7/1500/TIA
Power (kW)	11	Total weight (t)	3.5
Width of machinable parts max. (mm)	170	Stock removal (mm)	-
Height of machinable parts max. (mm)	100	Resolution (mm)	0.001

Technology 1H:

Continuous through feed profile grinder equipped with 1 horizontal spindle

Simple operation

Highly productive method for continuous through feed cutting using diamond wheels. Transported by a highly resistant composite belt, held by magnetic attraction (by mask or template for parts of non-magnetic material) the parts are guided between rails and pass beneath the grinding wheel. Controlled process and part program provide optimum performance.



LINEAR ABRASIVE Engineering S.A.

Bellevue 5

2074 Marin / Switzerland

Phone: +41 (0)32 753 36 33 Fax: +41 (0)32 753 21 69

E-mail: commercial.center@linear.ch



LINEAR ABRASIVE