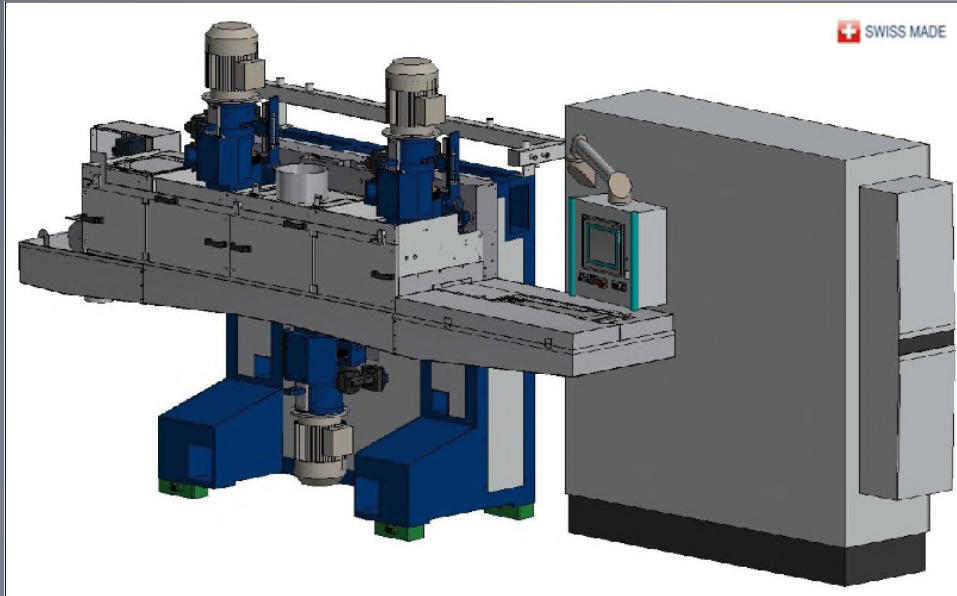
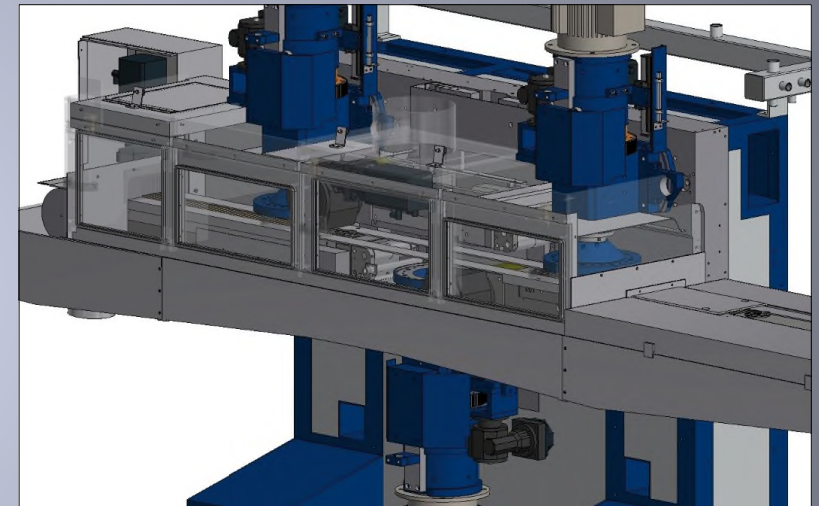


## MORGANE IV

Continuous through feed grinder equipped with 3 vertical spindles and 1 horizontal spindle



Grinding direction from right to left



### Performances

- Resolution 0.001 mm
- High performance spindles, direct drive
- Modular rigid frame of grey cast iron combined with prestressed reinforced concrete
- Measurement and automatic servo
- Can be combined with up to 4 vertical stations continuously
- Automatic, semi-automatic or manual loading

### LINEAR ABRASIVE Engineering S.A.

Bellevue 5

2074 Marin / Switzerland

Phone: +41 (0)32 753 36 33 Fax: +41 (0)32 753 21 69

E-mail: [commercial.center@linear.ch](mailto:commercial.center@linear.ch)



# LINEAR ABRASIVE

## Technical specifications

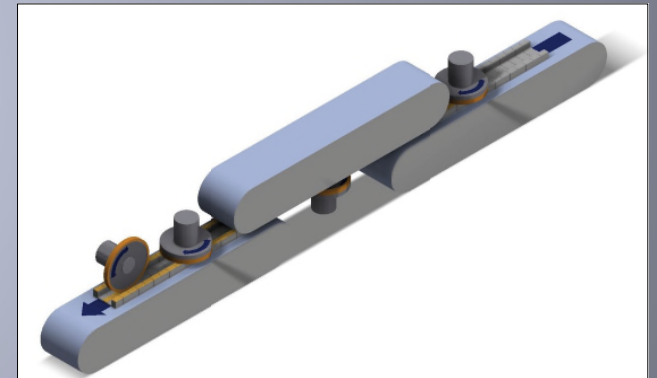
Number of spindles	3 or 4	Abrasive tools	CBN/diamond/Al2O3
Spindle (mm)	ø140x450	Grinding wheel (mm)	ø400
Z-axis infeed (mm)	100	Infeed (mm/min)	0 - 6000
Direct spindle drive (rpm)	0 - 6000	Electrical control	Siemens S7/1500/TIA
Power (kW)	3 or 4x7	Total weight (t)	8
Width of machinable parts max. (mm)	130	Stock removal max. (mm)	2
Height of machinable parts max. (mm)	70	Resolution (mm)	0.001

### Technology 4VVH:

Continuous through feed surface and profile grinder, equipped with 3 vertical spindles, of which 1 inverted, and 1 horizontal spindle

#### Combined operations

Highly productive method for continuous through feed machining of profiles using profiled cylindrical grinding wheel, diamond or CBN. This process also allows cutting of parts with tight tolerances. Transported by a highly resistant composite belt, held by magnetic attraction (by mask or template for parts of non-magnetic material), the parts are guided between rails and pass beneath the grinding wheel. Controlled process and part program provide optimum performance.



#### **LINEAR ABRASIVE Engineering S.A.**

Bellevue 5

2074 Marin / Switzerland

Phone: +41 (0)32 753 36 33 Fax: +41 (0)32 753 21 69

E-mail: [commercial.center@linear.ch](mailto:commercial.center@linear.ch)



# LINEAR ABRASIVE