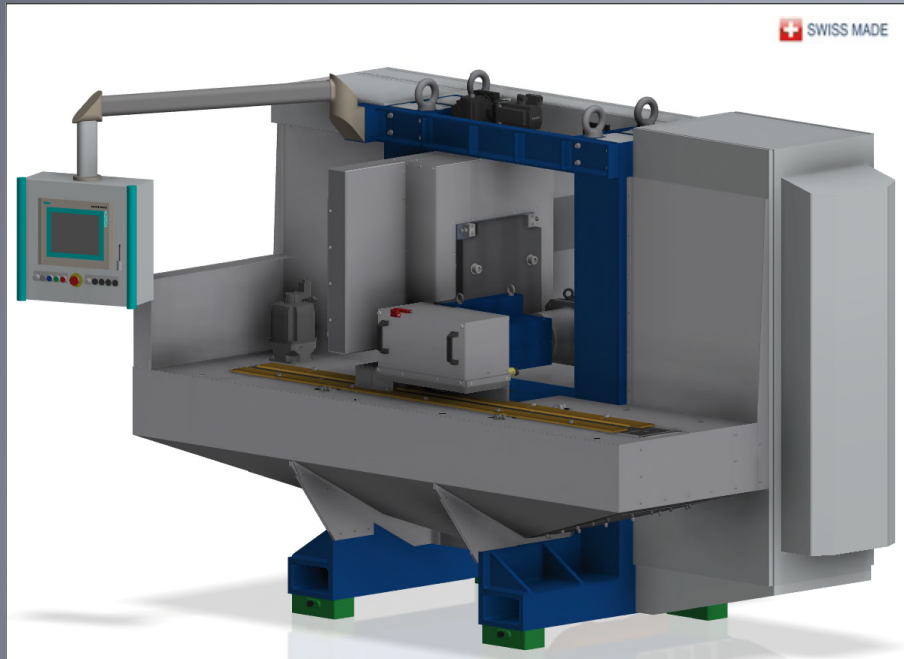


# SIEGFRIED 180/500

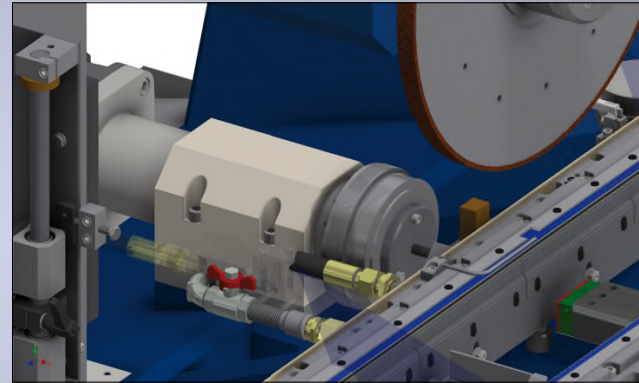
Tangential continuous through feed grinder equipped with 1 horizontal spindle



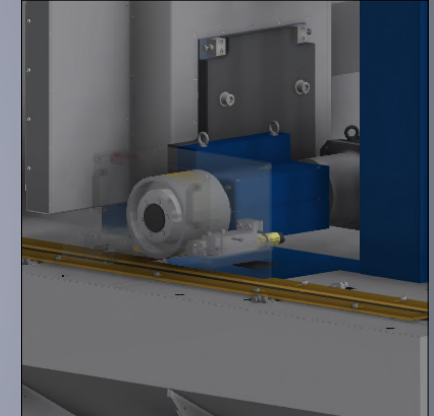
Grinding direction from right to left



## Dressing



## Spindle



## Performances

- Resolution 0,001 mm
- High performance spindles, direct drive
- Modular rigid steel frame combined with prestressed concrete
- Measurement and automatic servo
- Automatic, semi-automatic or manual loading

### LINEAR ABRASIVE Engineering S.A.

Bellevue 5

2074 Marin / Switzerland

Phone: +41 (0)32 753 36 33 Fax: +41 (0)32 753 21 69

E-mail: [commercial.center@linear.ch](mailto:commercial.center@linear.ch)

## Technical specifications

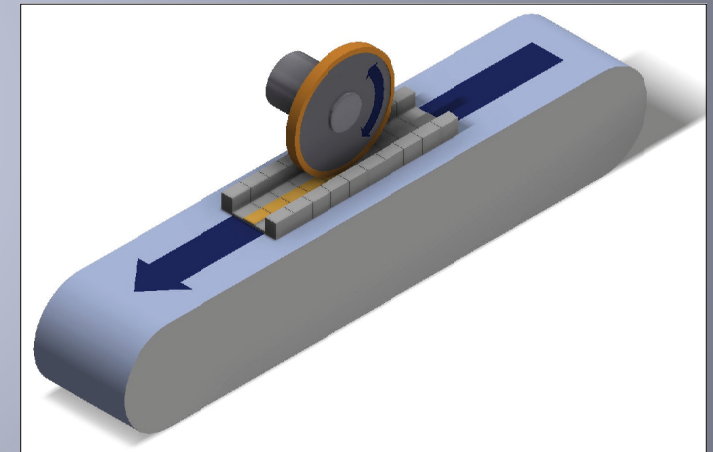
Number of spindles	1	Abrasive tools	CBN/diamond/Al2O3
Spindle (mm)	ø200x500	Grinding wheel (mm)	ø500
Z-axis infeed (mm)	120	Infeed (mm/min)	0 - 6000
Direct spindle drive (rpm)	0 - 3000	Electrical control	Siemens S7/1500/TIA
Power (kW)	15	Total weight (t)	3.5
Width of machinable parts max. (mm)	170	Stock removal max. (mm)	2
Height of machinable parts max. (mm)	100	Resolution (mm)	0.001

### Technology 1H:

Continuous through feed profile grinder equipped with 1 horizontal spindle

#### Simple operation

Highly productive method for continuous through feed machining of profiles using AL2O3 cup, diamond and CBN wheels. Transported by a highly resistant composite belt, held by magnetic attraction (by mask or template for parts of non-magnetic material) the parts are guided between rails and pass beneath the grinding wheel. Controlled process and part program provide optimum performance.



#### LINEAR ABRASIVE Engineering S.A.

Bellevue 5

2074 Marin / Switzerland

Phone: +41 (0)32 753 36 33 Fax: +41 (0)32 753 21 69

E-mail: [commercial.center@linear.ch](mailto:commercial.center@linear.ch)



# LINEAR ABRASIVE