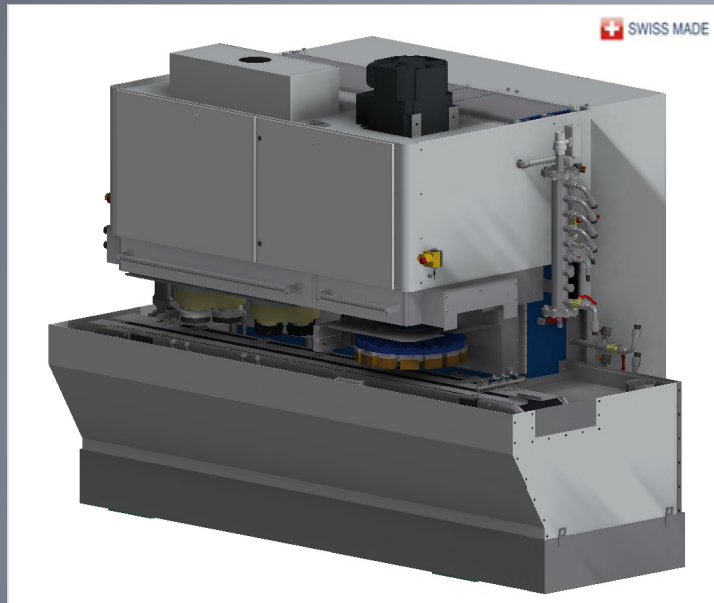


STAG 300/600

Continuous through feed grinder, can be combined with up to 3 vertical stations



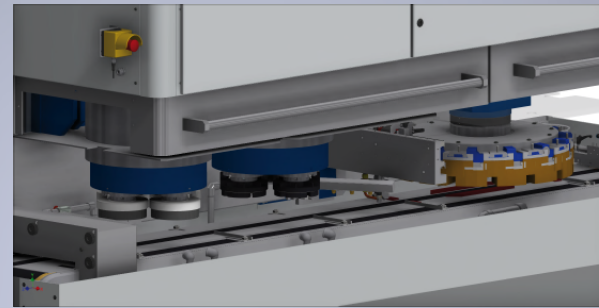
Grinding direction from right to left

Performances

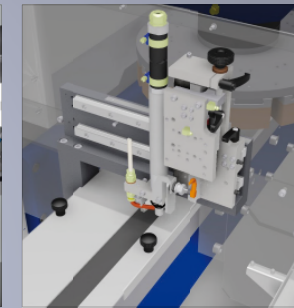
- Resolution 0.001 mm
- High performance spindles, direct drive
- Modular rigid steel frame combined with prestressed concrete
- Measurement and automatic servo
- Additional brushing module
- Can be combined with up to 3 stations continuously
- Automatic, semi-automatic or manual loading



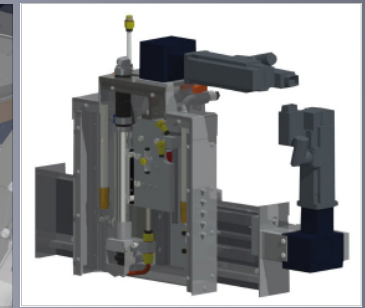
Grinding, polishing and brushing



Measurement

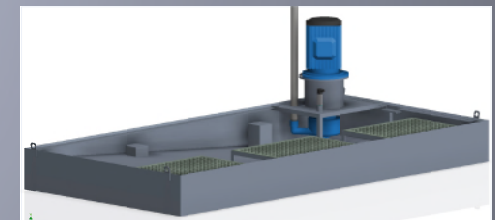


Manual



Automatic

Pumping tank



LINEAR ABRASIVE Engineering S.A.

Bellevue 5

2074 Marin / Switzerland

Phone: +41 (0)32 753 36 33 Fax: +41 (0)32 753 21 69

E-mail: commercial.center@linear.ch



LINEAR ABRASIVE

Technical specifications

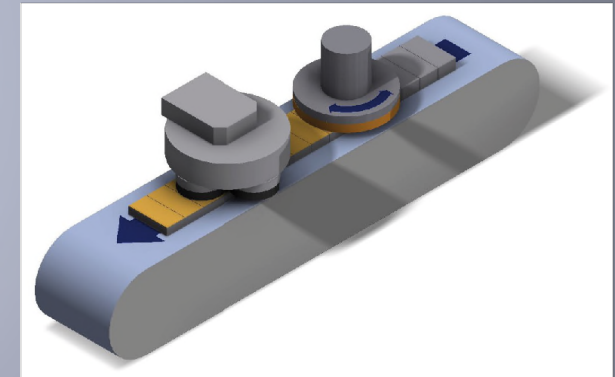
Number of spindles	1 + brushing unit (option)	Abrasive tools	CBN/diamond/Al2O3
Spindle (mm)	ø200x500	Grinding wheel (mm)	ø600 / ø500
Z-axis infeed (mm)	150	Infeed (mm/min)	0 - 6000
Direct spindle drive (rpm)	0 - 3000	Electrical control	Siemens S7/1500/TIA
Power (kW)	39, 2.5 (brushing unit)	Total weight (t)	5 - 7
Width of machinable parts max. (mm)	285	Stock removal max. (mm)	8
Height of machinable parts max. (mm)	120	Resolution (mm)	0.001

Technology 1VB:

Continuous through feed flat surface grinder equipped with 1 vertical spindle + 1 planetary brushing unit

Combined operation

Highly productive method for continuous through feed machining of surfaces using AL2O3 cup, diamond and CBN wheels. Transported by a highly resistant composite belt, held by magnetic attraction (by mask or template for parts of non-magnetic material) the parts are guided between rails and pass beneath the grinding wheel. Controlled process and part program provide optimum performance.



LINEAR ABRASIVE Engineering S.A.

Bellevue 5

2074 Marin / Switzerland

Phone: +41 (0)32 753 36 33 Fax: +41 (0)32 753 21 69

E-mail: commercial.center@linear.ch



LINEAR ABRASIVE