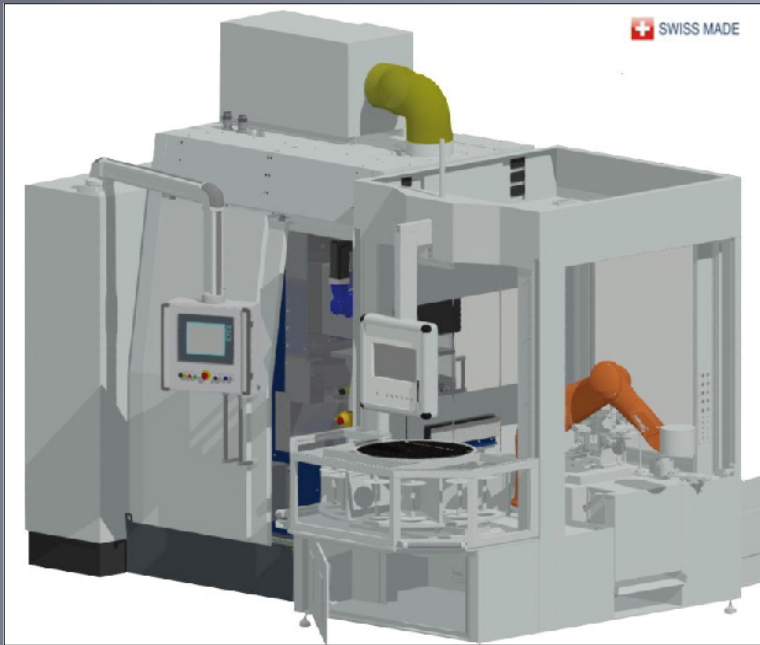


# PARSIFAL 150/400

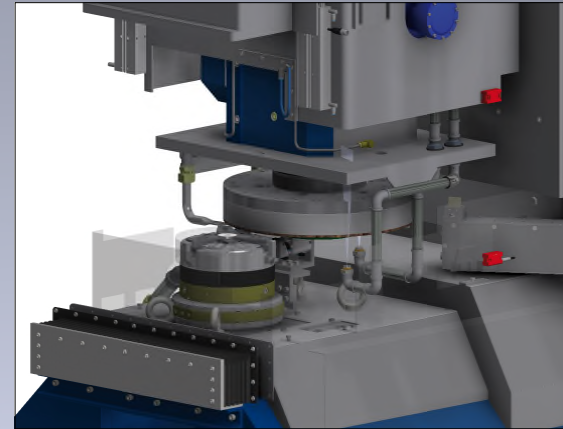
Plunge grinder, cycle-by-cycle, equipped with  
1 vertical spindle + 1 mandrel



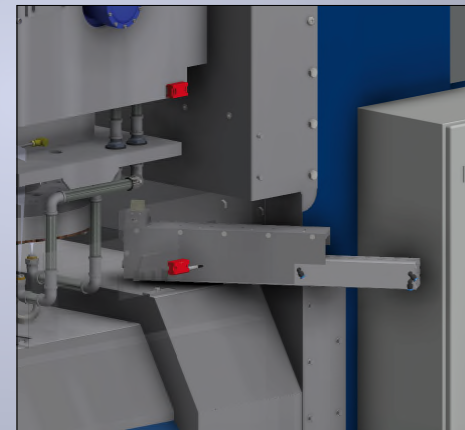
## Performances

- Resolution 0.001 mm
- High performance spindles, direct drive
- Modular rigid modular rigid steel frame combined with prestressed concrete
- Measurement and automatic servo
- Vertical tilt spindle
- $\varnothing 200$  mm mandrel mounted on a horizontal slide
- Automatic or semi-automatic loading

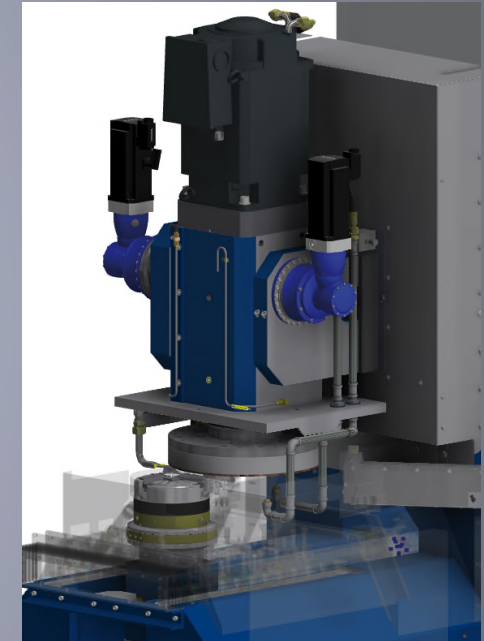
## Mandrel



## Sharpening



## Tilt



## LINEAR ABRASIVE Engineering S.A.

Bellevue 5

2074 Marin / Switzerland

Phone: +41 (0)32 753 36 33 Fax: +41 (0)32 753 21 69

E-mail: [commercial.center@linear.ch](mailto:commercial.center@linear.ch)



# LINEAR ABRASIVE

## Technical Specifications

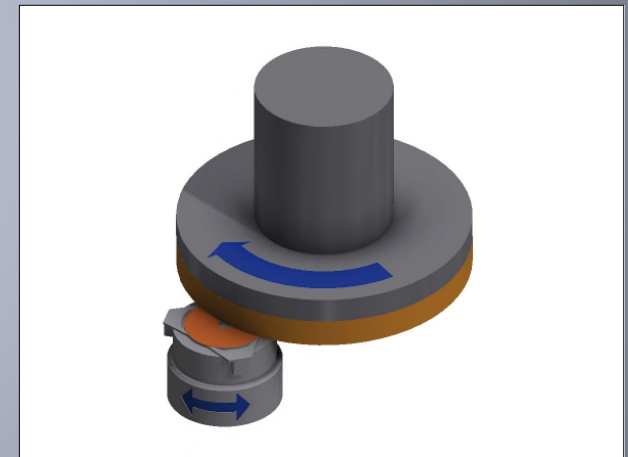
Number of spindles	2	Abrasive tools	CBN/diamond/Al2O3
Spindle (mm)	∅200x500, mandrel ∅100x300	Grinding wheel (mm)	∅400, mandrel ∅170
Z-axis infeed (mm)	120	Spindle tilt max. (°)	10
Direct spindle drive (rpm)	0 - 4000	Electrical control	Siemens S7/1500/TIA
Power (kW)	27, mandrel 3	Total weight (t)	5
Width of machinable parts max.(mm)	∅160	Stock removal max. (mm)	2
Height of machinable parts max. (mm)	0 30	Resolution (mm)	0.001

### Technology 1V/M:

Plunge grinder by cycle, equipped with 1 vertical spindle + 1 opposite mandrel on a horizontal slide

#### Specific development

Our engineering office, equipped with modern CAD and programming systems, up-to-date with current informatics and software standards, is capable of building special machines, where yet no viable solution exists. In this area LINEAR ABRASIVE has achieved a level of excellence that is recognized worldwide.



#### LINEAR ABRASIVE Engineering S.A.

Bellevue 5

2074 Marin / Switzerland

Phone: +41 (0)32 753 36 33 Fax: +41 (0)32 753 21 69

E-mail: [commercial.center@linear.ch](mailto:commercial.center@linear.ch)



# LINEAR ABRASIVE