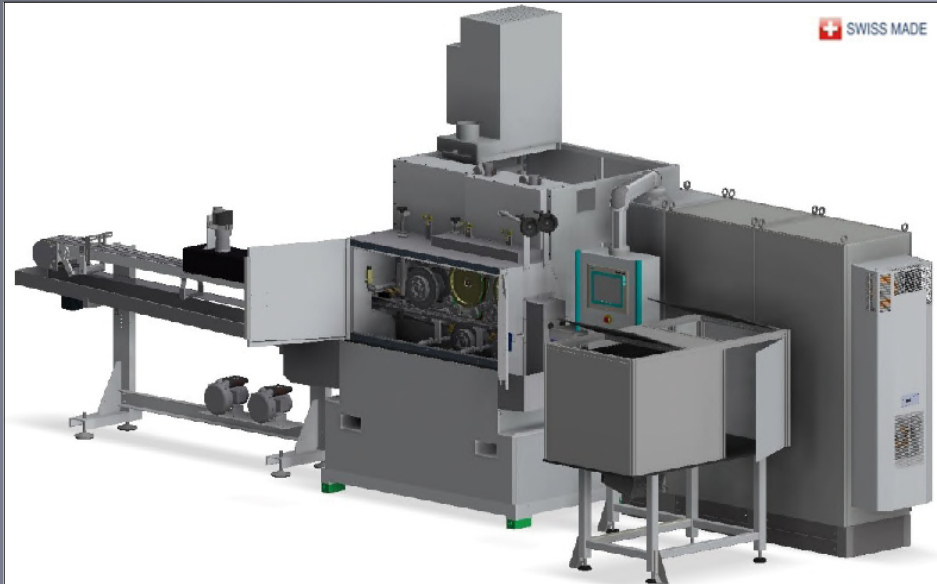
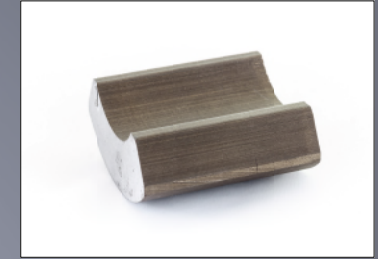
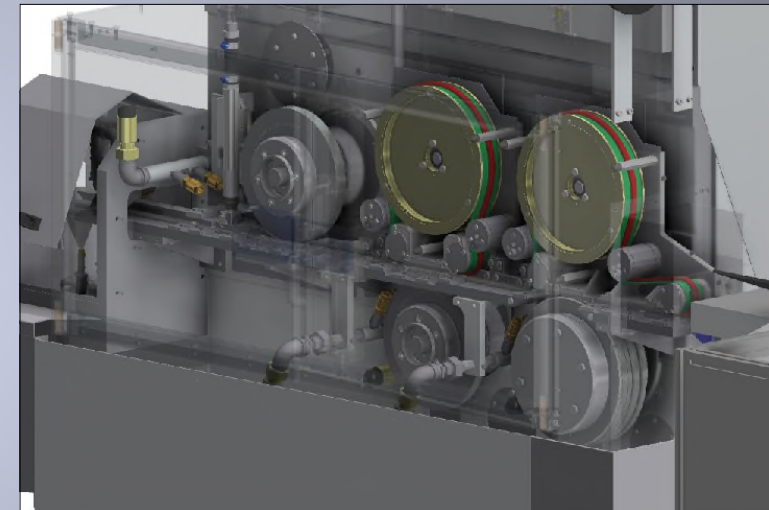


WOTAN III

Continuous through feed grinder equipped with 3 horizontal spindles dedicated to continuous internal and external profile grinding



Grinding direction from right to left



Performances

- Resolution 0.001 mm
- High performance spindles, direct drive
- Modular rigid frame of grey cast iron combined with prestressed concrete
- Automatic servo
- Automatic, semi-automatic or manual loading

LINEAR ABRASIVE Engineering S.A.

Bellevue 5

2074 Marin / Switzerland

Phone: +41 (0)32 753 36 33 Fax: +41 (0)32 753 21 69

E-mail: commercial.center@linear.ch



LINEAR ABRASIVE

Technical specifications

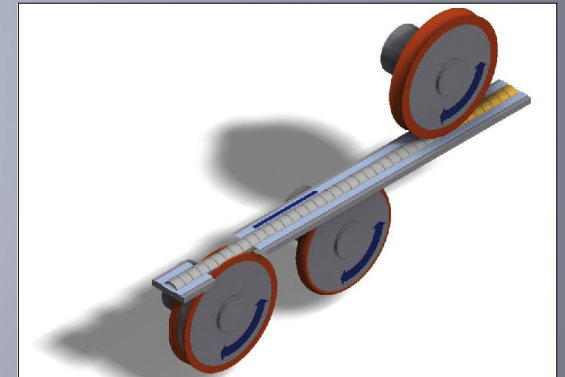
Number of spindles	3	Abrasive tools	Diamond
Spindle (mm)	ø140x450	Grinding wheel (mm)	~ø300
Z-axis infeed (mm)	50	Infeed (mm/min)	0 - 4000
Direct spindle drive (rpm)	0 - 6000	Electrical control	Siemens S7/1500/TIA
Power (kW)	3x15	Total weight (T)	4.5
Width of machinable parts max. (mm)	80	Stock removal max. (mm)	2
Height of machinable parts max. (mm)	40	Resolution (mm)	0.01

Technology 3HHH:

Continuous through feed grinder equipped with 3 horizontal spindles dedicated to continuous grinding of internal and external profiles

Combined operations

Highly productive method for continuous through feed machining of profiles, using profiled cylindrical grinding wheel, diamond or CBN. Transported by a highly resistant composite belt, the parts are guided between rails and pass beneath the grinding wheel. Controlled process and part program provide optimum performance.



LINEAR ABRASIVE Engineering S.A.

Bellevue 5

2074 Marin / Switzerland

Phone: +41 (0)32 753 36 33 Fax: +41 (0)32 753 21 69

E-mail: commercial.center@linear.ch



LINEAR ABRASIVE