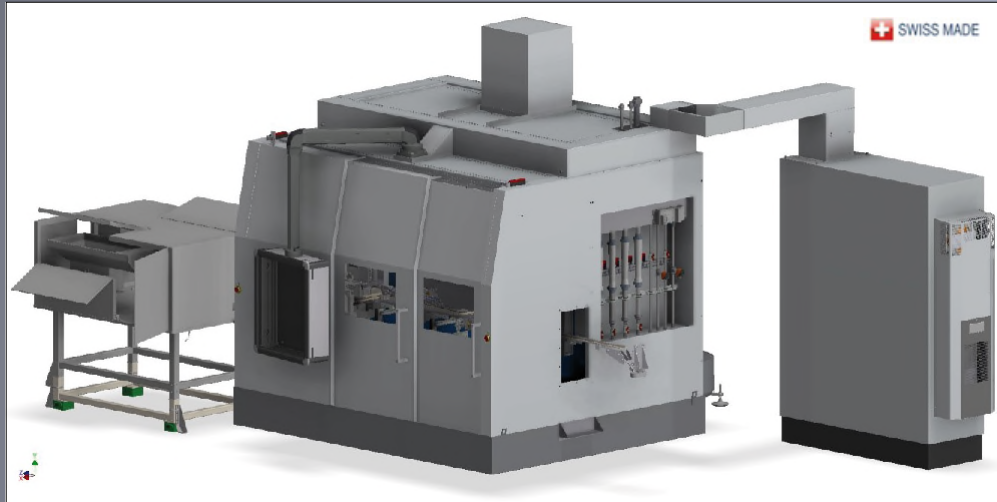
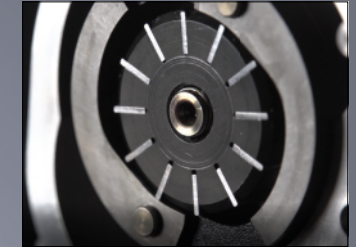
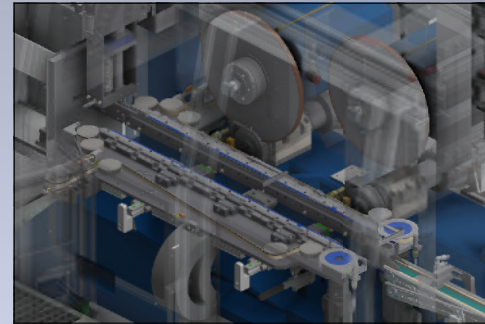


SIEGFRIED II

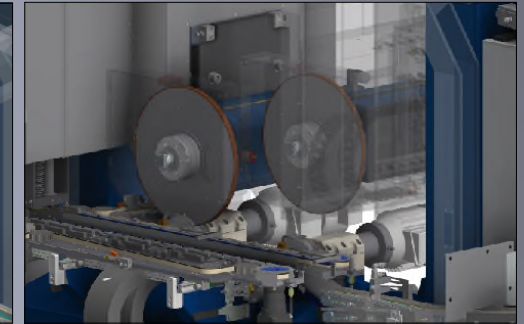
Continuous through feed grinder equipped with 2 horizontal spindles for rough and finish grinding in a single pass



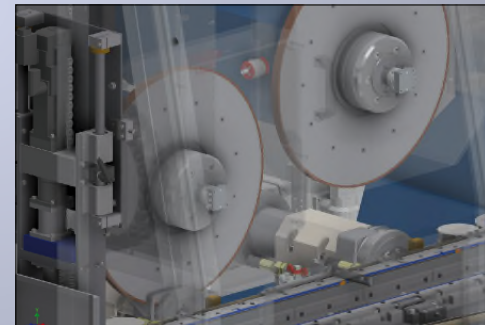
Guiding



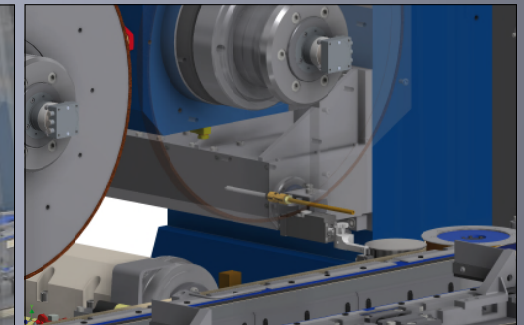
Spindles



Dressing



Measurement



Performances

- Resolution 0.001 mm
- High performance spindles, direct drive
- Modular rigid steel frame combined with prestressed concrete
- Measurement and automatic servo
- Automatic or semi-automatic loading
- Machining precision: straightness >0.001 mm

LINEAR ABRASIVE Engineering S.A.

Bellevue 5

2074 Marin / Switzerland

Phone: +41 (0)32 753 36 33 Fax: +41 (0)32 753 21 69

E-mail: commercial.center@linear.ch



LINEAR ABRASIVE

Technical specifications

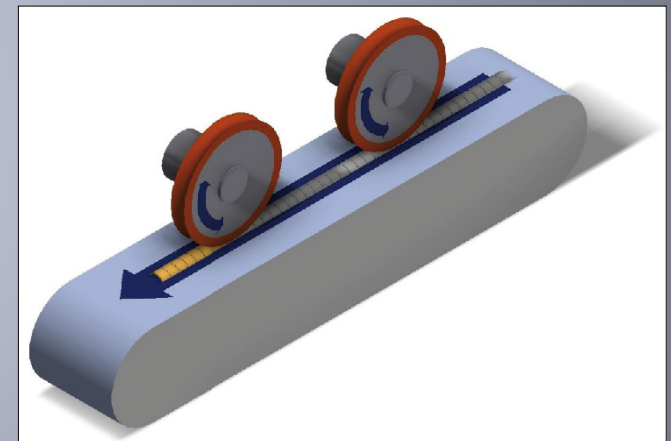
Number of spindles	2	Abrasive tools	CBN/diamond/Al2O3
Spindle (mm)	ø200x500	Grinding wheel (mm)	ø500
Z-axis infeed (mm)	120	Infeed (mm/min)	0 - 6000
Direct spindle drive (rpm)	0 - 4000	Electrical control	Siemens S7/1500/TIA
Power (kW)	2x7	Total weight (t)	8.5
Width of machinable parts max. (mm)	2	Stock removal max. (mm)	0.5
Height of machinable parts max. (mm)	20	Resolution (mm)	0.001

Technologie 2HH:

Continuous through feed grinder equipped with 2 horizontal spindles for rough and finish grinding in a single pass

Combined operations

Highly productive method for continuous through feed machining of profiles using profiled cylindrical grinding wheel, diamond and CBN. This process also allows cutting of parts with tight tolerances. Transported by a highly resistant composite belt, the parts are guided on a hard metal rails and pass beneath the grinding wheel. Controlled process and part program provide optimum performance.



LINEAR ABRASIVE Engineering S.A.

Bellevue 5

2074 Marin / Switzerland

Phone: +41 (0)32 753 36 33 Fax: +41 (0)32 753 21 69

E-mail: commercial.center@linear.ch



LINEAR ABRASIVE